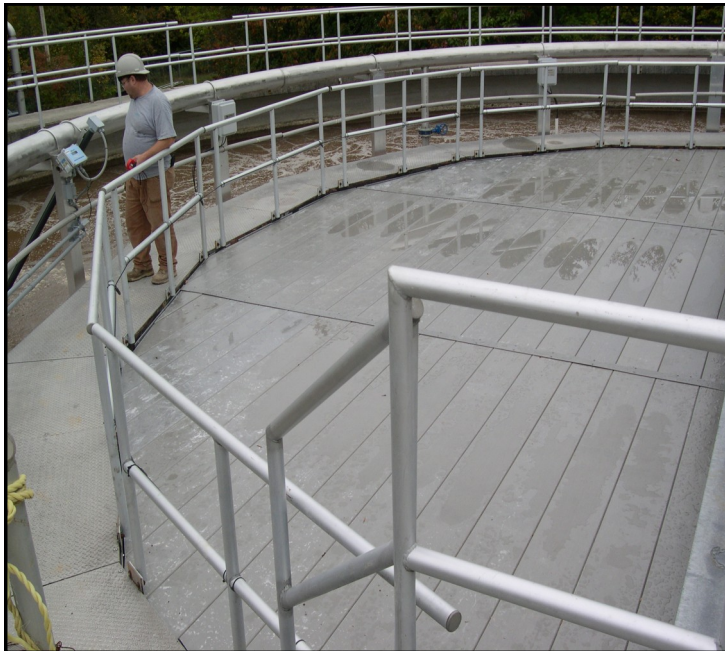


PRO'DECK COVERS



Deck Panel for :

- ✓ Clarifier Tank Covers
- ✓ Membrane Cell Covers
- ✓ Screw Pump Covers
- ✓ Bio-filter Covers
- ✓ Troughs

Applications :

- ✓ Odor Control
- ✓ Prevent Freeze-up
- ✓ Reduce Contamination
- ✓ Algae Control

Materials of Construction

PRO'DECK Cover panels are a composite of fiberglass reinforcements and a thermoset resin system. All components are produced by the pultrusion process.

The standard resin system is a medium grey polyester resin and incorporates a corrosion resistant polyester surfacing veil on the outer surfaces. All PRO'DECK Cover panels are available in fire retardant and various resin grades and color combinations on special orders.

Benefits & Features

- High load ratings
- Excellent corrosion resistance
- Easy to install
- Modular panels
- Choice of top surface
- Light weight
- Long service life
- Low maintenance

Pro'Deck 3000 Load/Deflection Table



Uniform Loading

Span in feet	50 lb/ft	100 lb/ft	150 lb/ft	200 lb/ft	300 lb/ft	500 lb/ft	1000 lb/ft	1500 lb/ft
2 ft	0.003	0.006	0.008	0.011	0.017	0.028	0.055	0.083
2.5 ft	0.004	0.008	0.013	0.017	0.025	0.042	0.084	0.127
3 ft	0.006	0.013	0.019	0.025	0.037	0.062	0.125	
3.5 ft	0.009	0.018	0.027	0.036	0.054	0.089	0.177	
4 ft	0.014	0.026	0.039	0.051	0.076	0.126	0.252	
4.5 ft	0.020	0.037	0.054	0.071	0.106	0.175		
5 ft	0.026	0.049	0.072	0.094	0.140	0.230		
5.5 ft	0.035	0.065	0.095	0.125	0.185	0.305		
6 ft	0.045	0.082	0.119	0.157	0.232	0.381		
6.5 ft	0.058	0.107	0.156	0.204	0.302	0.497		
7 ft	0.074	0.135	0.197	0.258	0.381	0.627		
7.5 ft	0.088	0.162	0.235	0.308	0.455	0.749		
8 ft	0.111	0.203	0.296	0.388	0.572			
8.5 ft	0.134	0.246	0.357	0.468	0.690			
9 ft	0.166	0.303	0.440	0.577	0.851			
9.5 ft	0.198	0.362	0.526	0.690				
10 ft	0.237	0.435	0.632	0.829				

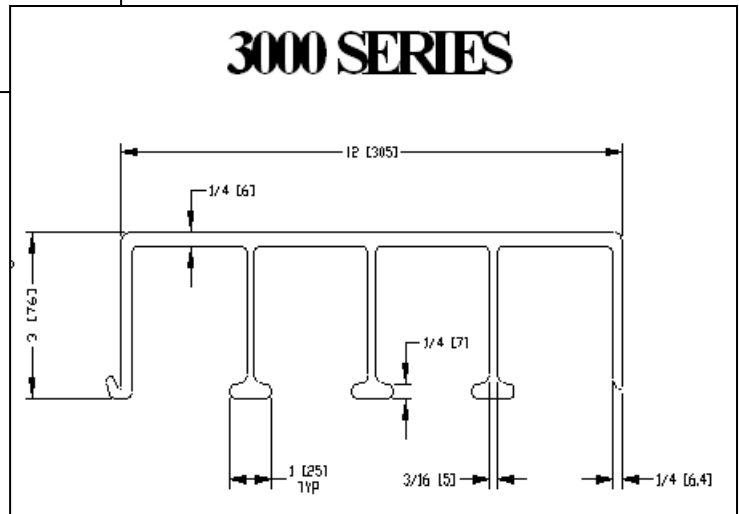
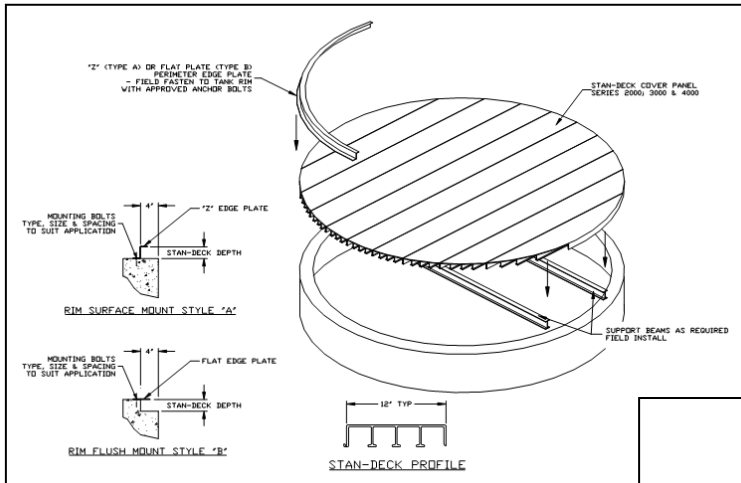
Concentrated Loading

Span in feet	50 lb/ft	100 lb/ft	150 lb/ft	200 lb/ft	300 lb/ft	500 lb/ft	1000 lb/ft	1500 lb/ft
2 ft	0.005	0.011	0.016	0.022	0.033	0.054	0.109	0.163
2.5 ft	0.006	0.013	0.019	0.026	0.039	0.065	0.130	0.195
3 ft	0.008	0.016	0.024	0.031	0.047	0.078	0.156	
3.5 ft	0.010	0.019	0.028	0.038	0.056	0.094	0.187	
4 ft	0.013	0.024	0.035	0.047	0.069	0.114	0.227	
4.5 ft	0.016	0.030	0.043	0.057	0.084	0.138	0.274	
5 ft	0.020	0.035	0.051	0.067	0.099	0.162	0.321	
5.5 ft	0.024	0.043	0.062	0.081	0.118	0.193		
6 ft	0.029	0.050	0.071	0.093	0.135	0.220		
6.5 ft	0.035	0.060	0.086	0.111	0.162	0.263		
7 ft	0.042	0.071	0.101	0.130	0.189	0.307		
7.5 ft	0.050	0.085	0.120	0.155	0.225	0.365		
8 ft	0.058	0.097	0.137	0.176	0.255	0.413		
8.5 ft	0.070	0.116	0.163	0.209	0.302	0.488		
9 ft	0.082	0.136	0.190	0.244	0.352	0.568		
9.5 ft	0.095	0.156	0.217	0.277	0.399	0.643		
10 ft	0.110	0.179	0.249	0.318	0.457	0.735		

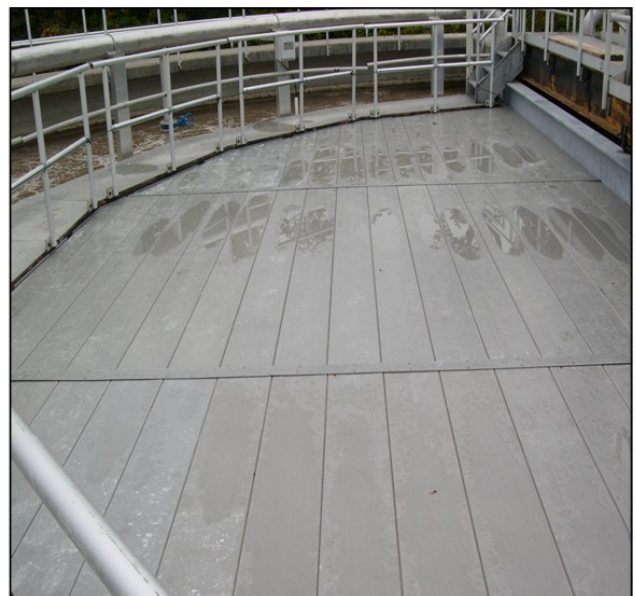
Notes: 1) The above were tabulated using composite laminate theory in static linear FEA with dimensions and material properties data provided by Protectolite Inc.

CONSTRUCTION

Assembly



Easy interlocking assembly



Secondary clarifier Pro'Deck flat cover installation

PRO'DECK

Other FRP products available from Protectolite™ Composites Inc.



Density Current Baffles



Pro'Deck Flat Cover



Weirs, Scum Baffles & Density Current Baffles



Laundry Covers

PRO'DECK COVERS



PROTECTOLITE™ NC.
COMPOSITES INC.

Corporate Head Office:

84 Railside Road
Toronto, ON. M3A 1A3
Canada

Telephone: 416-444-4484

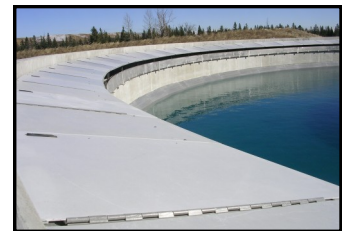
Fax: 416-444-4485
Email: kszasz@protectolite.com
Web: www.protectolite.com

Contact:

Karl Szasz
President
Email: kszasz@protectolite.com



WEIRS & BAFFLES
Notched and un-notched weir plates and specialty baffles for the water and waste water treatment industry.



LAUNDER COVERS
Reduce algae growth with modular FRP laundry covers for easy installation and long life.