

STAN-DECK™



Deck Panel for :

- ✓ Clarifier Tank Covers
- ✓ Membrane Cell Covers
- ✓ Screw Pump Covers
- ✓ Bio-filter Covers

Applications :

- ✓ Odor Control
- ✓ Prevent Freeze-up
- ✓ Reduce Contamination

Materials of Construction

STAN-DECK™ Cover panels are a composite of fiberglass reinforcements (glass and mat) and a thermoset resin system. All components are produced by the pultrusion process.

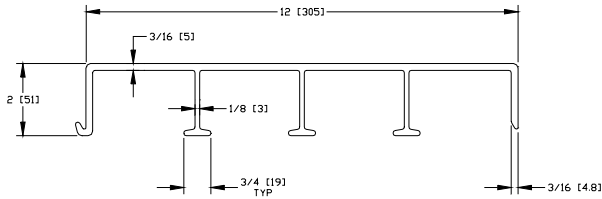
The standard resin system is a medium grey polyester resin and incorporates a corrosion resistant polyester surfacing veil on the outer surfaces. All STAN-DECK™ Cover panels are available in fire retardant and various resin and color combinations on special order

Features

- High load ratings
- Excellent corrosion resistance
- Easy to install
- Modular panels
- Choice of top surface
- Light weight
- Long service life
- Low maintenance

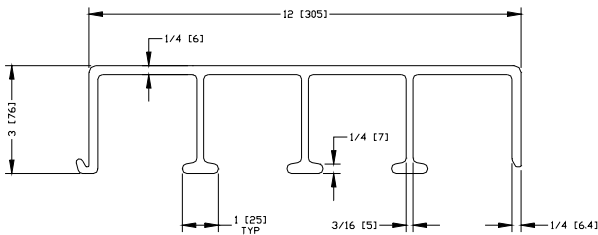
LOAD TABLES

2000 SERIES



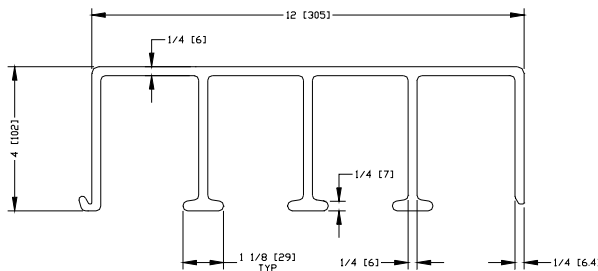
SPAN (ft)	LOAD Conc. (lbs)	LOAD Uniform (lb/ft ²)	DEFLECTION (in)
2	143	143	0.011
3	143	95	0.036
4	143	72	0.086
5	143	57	0.167
6	99	33	0.200
7	72	21	0.232
8	55	14	0.265
9	44	10	0.302
10	35	7	0.331

3000 SERIES



SPAN (ft)	LOAD Conc. (lbs)	LOAD Uniform (lb/ft ²)	DEFLECTION (in)
2	143	143	0.011
3	143	95	0.036
4	143	72	0.086
5	143	57	0.167
6	99	33	0.200
7	72	21	0.232
8	55	14	0.265
9	44	10	0.302
10	35	7	0.331

4000 SERIES



SPAN (ft)	LOAD Conc. (lbs)	LOAD Uniform (lb/ft ²)	DEFLECTION (in)
2	642	642	0.005
3	642	428	0.018
4	642	321	0.043
5	642	257	0.085
6	642	214	0.147
7	642	183	0.233
8	493	123	0.267
9	389	86	0.300
10	314	63	0.333

The allowable loads and deflection data shown above are limited by L/360 with Factor of Safety 2.5

The load/span tables shown above are to be used as a guide only. Local environmental conditions have not been considered.

Specific applications should be verified by a Professional Engineer.

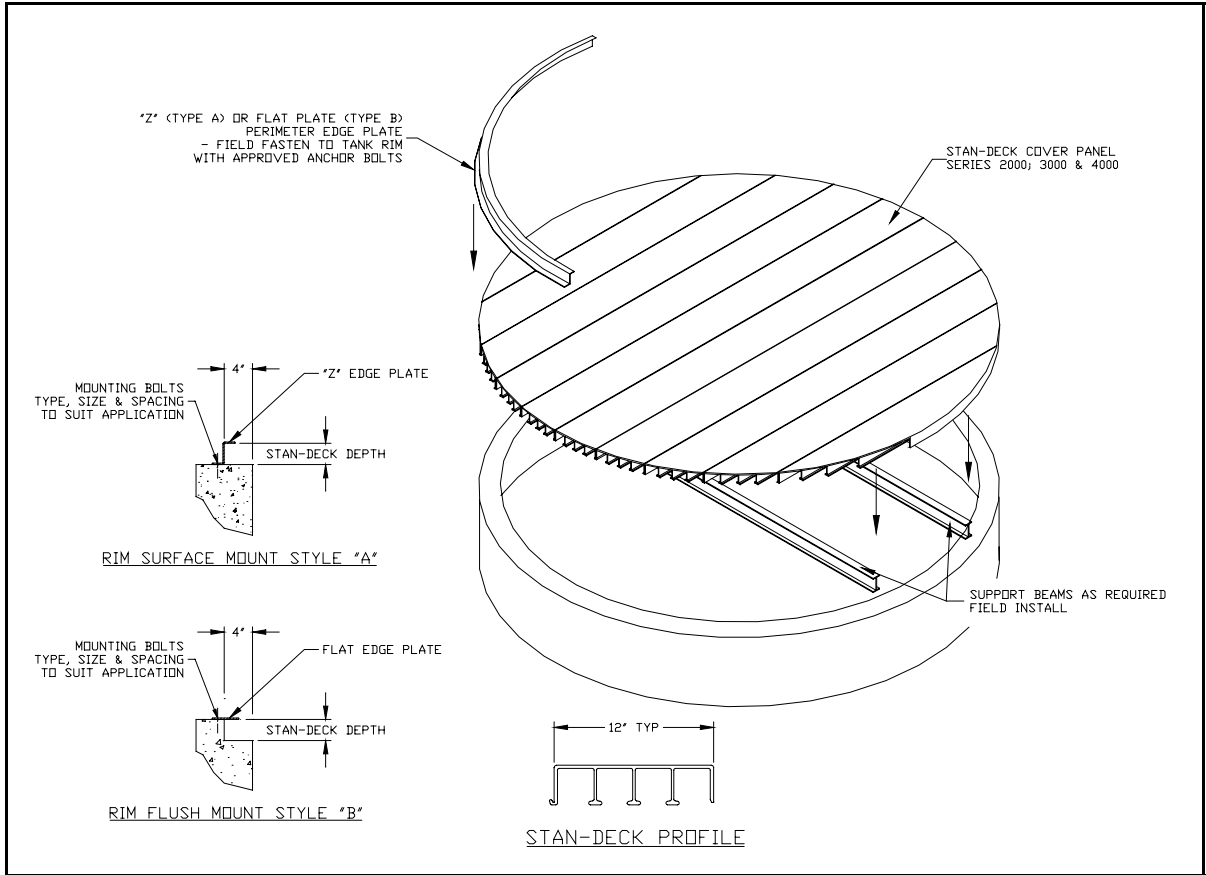
Properties

	ASTM Test	Value	Metric Value
Tensile Strength (LW)	D638	29,000 psi	200 MPa
Tensile Modulus (LW)	D638	2.2 10 ⁶ psi	15.1 GPa
Compressive Strength (LW)	D695	29,000 psi	200 MPa
Compressive Modulus (LW)	D695	2.6 10 ⁶ psi	18.1 GPa
Flexural Strength (LW)	D790	29,000 psi	200 MPa
Flexural Modulus (LW)	D790	1.4 10 ⁶ psi	9.7 GPa
Notched Izod Impact (LW)	D256		3,400 J/m
Water Absorption	D570	0.6 % Max	0.6 % Max
Specific Gravity	D792	1.92	1.92
Coefficient of Thermal Expansion (LW)	D696		2.5 10 ⁻⁵ / °C
Flammability Classification*	UL94	V-0	
Flame Spread Index*	E84	<25	

* Applies to FR covers only

CONSTRUCTION

Assembly



Easy interlocking assembly

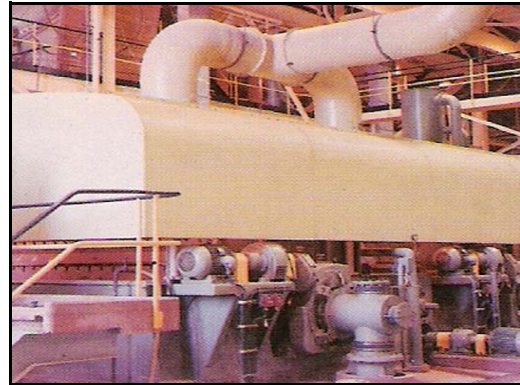


Secondary clarifier cover installation

Other FRP products available from Protectolite™ Inc.



Current Density Baffles



Fume Hoods



Ducts



Tanks

STAN-DECK™



Address:

84 Rainside Drive
 Toronto, ON. M3A 1A3
 Canada

Telephone: 416-444-4484

Fax: 416-444-4485

Karl Szasz, President

Email: kszasz@protectolite.com

Web: www.protectolite.com

Protectolite Inc. is the exclusive distributor for PCL Composites Inc. waste water products including Weir plates, Baffles and LAUNDER COVERS



WEIR PLATES / BAFFLES

Notched and un-notched weir plates and specialty baffles for the water and waste water treatment industry.



LAUNDER COVERS

Reduce algae growth in clarifier feed channels with PCL's lightweight, easy to install Launder covers